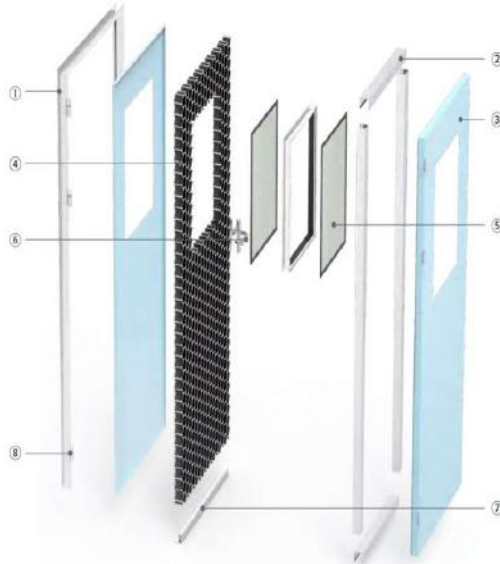


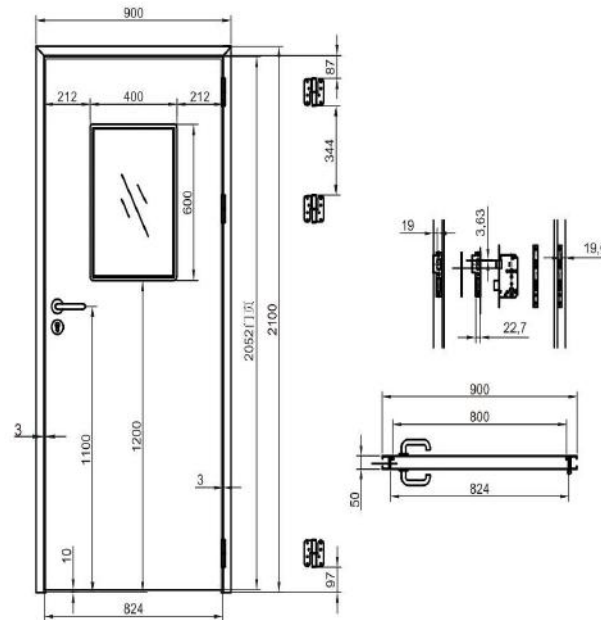
Single - Steel Clean Room Door Technical Data



Door	Parts Name	Description
Door Body	1 Door leaf frame	1.2mm/Galvanized sheet ; Powder coating finished
	2 Door panel	1.0mm/Galvanized sheet ; Powder coating finished
	3 Sandwich (core material)	Paper honeycomb / aluminum honeycomb filling
	4 Observation Window	5mm thick tempered double-layer insulating glass
	5 Sweeping Strip	Auto-lifting sweeping strip
	6 Reinforcing steel tube	Aviod deformation caused by external force.
Wall Frame	1 single side wall frame	1.2mm/Galvanized sheet ; Powder coating finished
	2 Full wall frame	1.2mm/Galvanized sheet ; Powder coating finished
Hardware Parts	1 Lock System	Stainless steel "L" type handle lock
	2 Handle	Stainless steel "L" type handle lock
	3 Door Closer	Factory available can be optional
	4 Hinges	304# stainless steel door hinge
	5 Accessories	Sealing strip buffer strip / Louvers
Standard Size	Width: 800 / 900 / 950 mm; Height:2100.0mm ; Thickness: 50.0mm	
Opening Angle	0° - 170° (Except the door closer)	



- ① Door Frame
- ② Door Leaf Frame
- ③ Door Panel
- ④ Core material of door leaf
- ⑤ Observation Window
- ⑥ Lock System
- ⑦ Sweeping Strip
- ⑧ Hinges
- ⑨ Reinforce Poles



HPL



8062 azure blue 8011 bright blue 5003 lotus white 5003 light green

Galvanized Steel



566 ivory white 883 light green 839 dark blue 567 gray

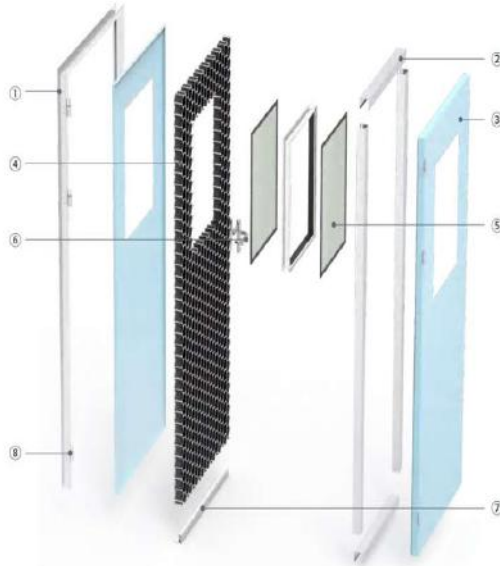


840 light gray 840 light blue 857 light fruit green 861 orange

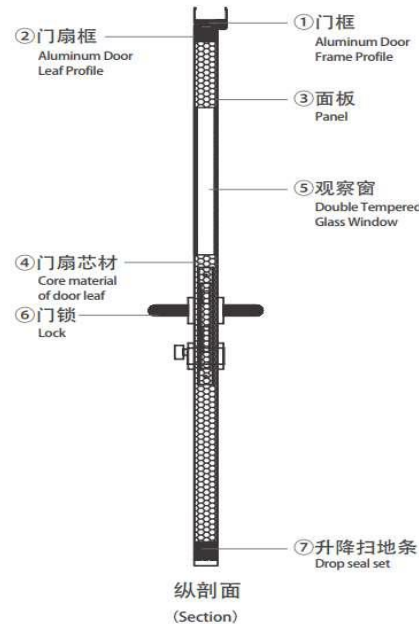
Unequal - Steel Clean Room Door Technical Data



Door	Parts Name	Description
Door Body	1 Door leaf frame	1.2mm/Galvanized sheet ; Powder coating finished
	2 Door panel	1.0mm/Galvanized sheet ; Powder coating finished
	3 Sandwich (core material)	Paper honeycomb / aluminum honeycomb filling
	4 Observation Window	5mm thick tempered double-layer insulating glass
	5 Sweeping Strip	Auto-lifting sweeping strip
	6 Reinforcing steel tube	Aviod deformation caused by external force.
Wall Frame	1 single side wall frame	1.2mm/Galvanized sheet ; Powder coating finished
	2 Full wall frame	1.2mm/Galvanized sheet ; Powder coating finished
Hardware Parts	1 Lock System	Stainless steel "L" type handle lock
	2 Handle	Stainless steel "L" type handle lock
	3 Door Closer	Factory available can be optional
	4 Hinges	304# stainless steel door hinge
	5 Accessories	Sealing strip buffer strip / Louvers
Standard Size	Width: 1200 / 1350 mm; Height:2100.0mm ; Thickness: 50.0mm	
Opening Angle	0° - 170° (Except the door closer)	



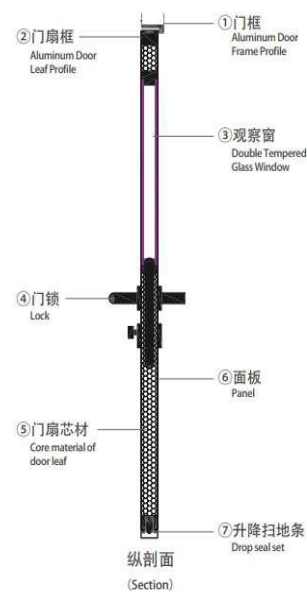
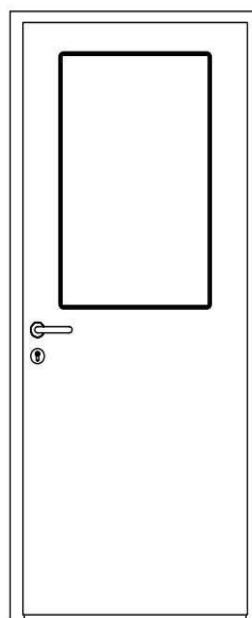
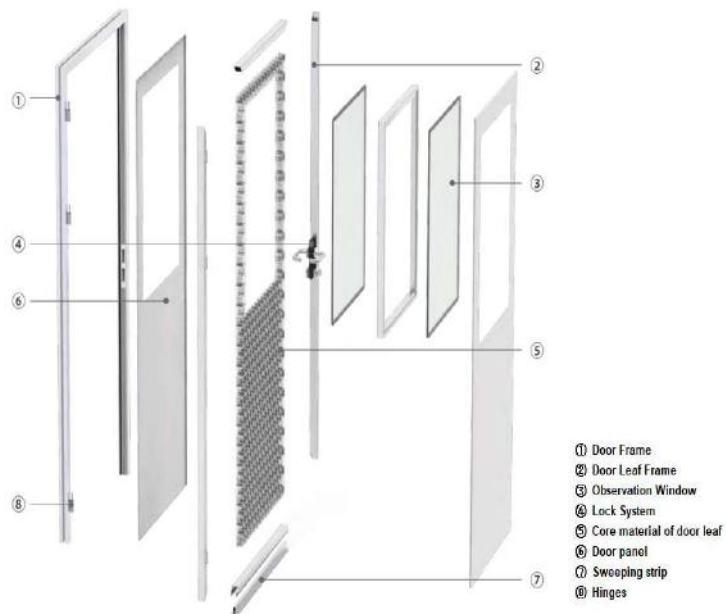
- ① Door Frame
- ② Door Leaf Frame
- ③ Door Panel
- ④ Core material of door leaf
- ⑤ Observation Window
- ⑥ Lock System
- ⑦ Sweeping Strip
- ⑧ Hinges
- ⑨ Reinforce Poles



Half Glass Swing Door Technical Data



Door	Parts Name	Description
Door Body	1 Door leaf frame	1.2mm/Galvanized sheet ; Powder coating finished
	2 Door panel	1.0mm/Galvanized sheet ; Powder coating finished
	3 Sandwich (core material)	Paper honeycomb / aluminum honeycomb filling
	4 Observation Window	5mm thick tempered double-layer insulating glass
	5 Sweeping Strip	Auto-lifting sweeping strip
	6 Sealing strip buffer strip	Sealing strip buffer strip
Wall Frame	1 single side wall frame	1.2mm/Galvanized sheet ; Powder coating finished
	2 Full wall frame	1.2mm/Galvanized sheet ; Powder coating finished
Hardware Parts	1 Lock System	Stainless steel "L" type handle lock
	2 Handle	Stainless steel "L" type handle lock
	3 Door Closer	Factory available can be optional
	4 Hinges	304# stainless steel door hinge
	5 Accessories	Sealing strip buffer strip / Louvers
Standard Size	Single: 800 / 950 ; Double:1500 / 1800 ; Unequal:1200 / 1350; Height:2100.0 ; Thickness: 50.0mm	
Opening Angle	0° - 170° (Except the door closer)	



HPL



Galvanized Steel



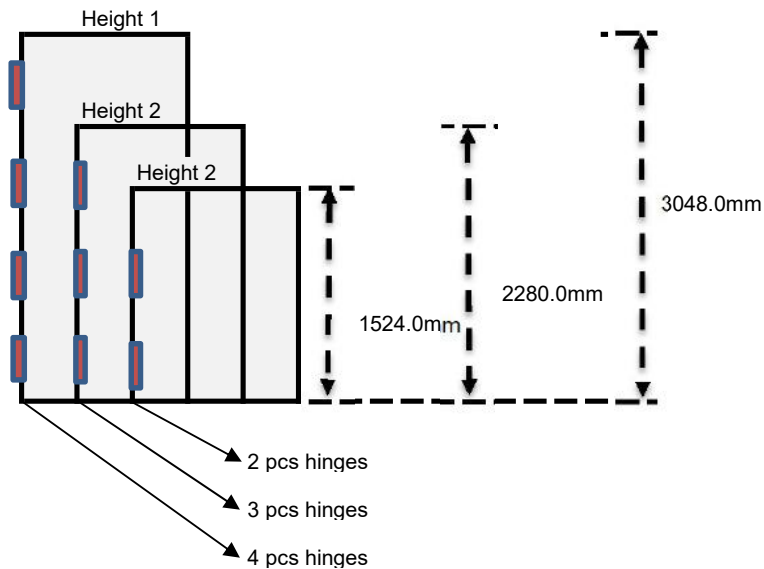
Clean Room Doors

Hinge - Door Panel of Width / Height and Weight Technical Data



Hinge & Loading	Door Panel			Door Loading	Hinges
	Width	Height	Thickness		
	≤ 700 mm	≤ 2100.0 mm	50.0mm	≤ 35.0 kgs	1 (Muti) + 1 (Loading) 2 pcs
	≤ 900 mm	≤ 2100.0 mm	50.0mm	≤ 60.0 kgs	2 (Muti) + 1 (Loading) 3 pcs
	≤ 110 mm	≤ 2400.0 mm	50.0mm	≤ 90.0 kgs	3 (Muti) 3 pcs

Door Height & Hinges Q'ty Technical Data

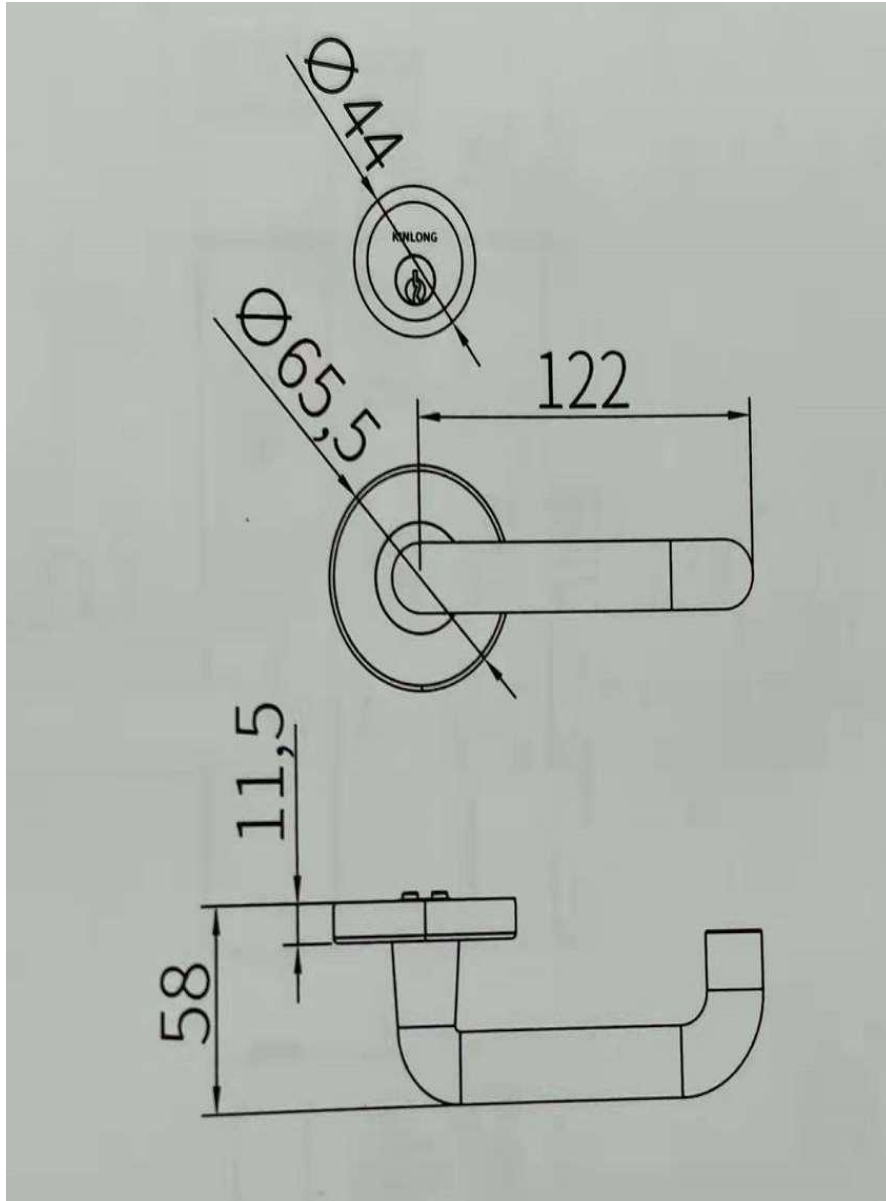


Hinge thickness & Loading Technical Data

Hinge Thickness (mm)	Loading (KGS)
2.00	20 - 30 kgs
2.50	30 - 40 kgs
3.00	40 - 60 kgs
3.50	60 - 80 kgs
4.00	80 - 120 kgs

Clean Room Doors

Handle & Lock System - Technical Data



Handle

Material:

- 304# stainless steel
- Watt finished

Opening:

- Option 1 : Open to Left
- Option 2 : Open to Right

Lock System

- Comply with EN12209-2003 & GB 21556-2008
- CE certificated
- Working Life: 200,000.0 ON / OF opening

Application

- Hospital patient room, operating room door etc
- Pharmaceutical factory door
- Food storage or factory door
- Lab room door, Polymer raw material workshop door etc

